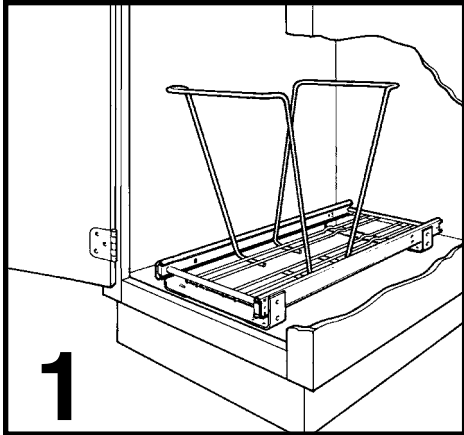


Installation Instructions for:

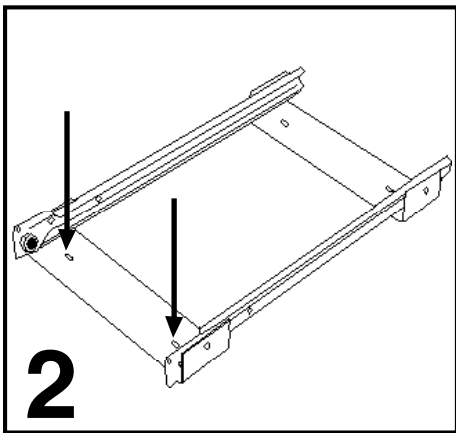
# RV-Series Pull-Out Waste Containers



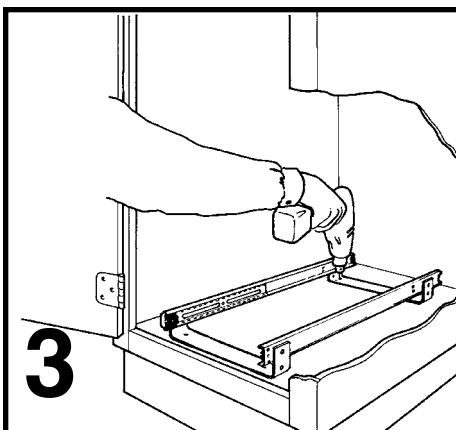
If you have any questions or would like additional information on the rest of our products for the kitchen, closet, or bathroom, please contact a Customer Service Specialist at: 1-800-626-1126 or visit us on the web at [www.rev-a-shelf.com](http://www.rev-a-shelf.com).



- 1** Your RV series Waste Container has been shipped fully assembled for ease of installation.
- First Remove the container(s) from the wire frame.
  - Place the frame inside of your cabinet.
  - Look to make sure that there is plenty of clearance to shut the door and for the waste container.

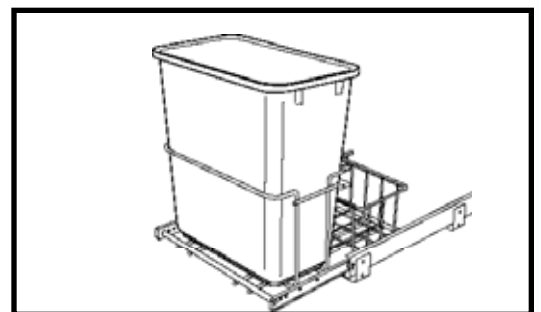


- 2** With the frame in a closed position, insert the front two screws, making sure that the framework is square to the front of the cabinet.



- 3** If there is sufficient clearance, proceed with installation of rear screws.

Finally, place your waste container in the wire frame and the installation is complete.



# RV-Series Pull-Out Waste Containers



Rev-A-Shelf would like to thank you for purchasing one of our revolutionary Waste Containers.

## Items included:

- 1 or 2 Waste Containers (depending on model)
- 1 Wire Frame
- 4 Screws

## Tools needed:

- Phillips head screwdriver (or drill)
- Tape measure

Also, don't forget about our door mount kit (RV-DMKIT) that will attach your current cabinet door to your RV Waste Container.

## Other RV Series Pull-Out Waste Containers available:

